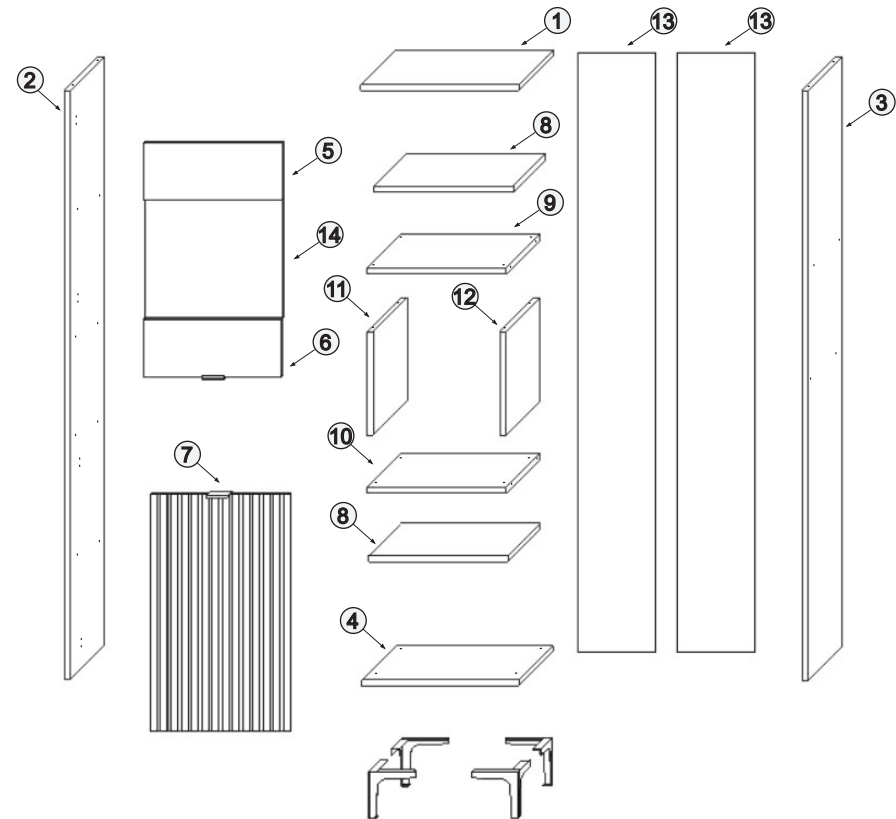
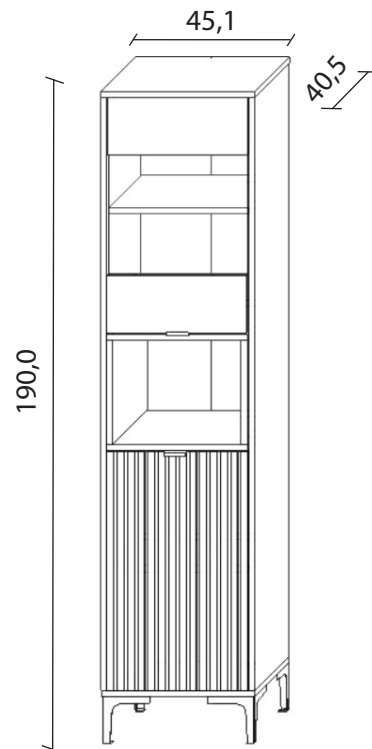






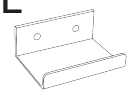






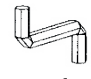



INSTRUKCJA MONTAŻU VANMAR

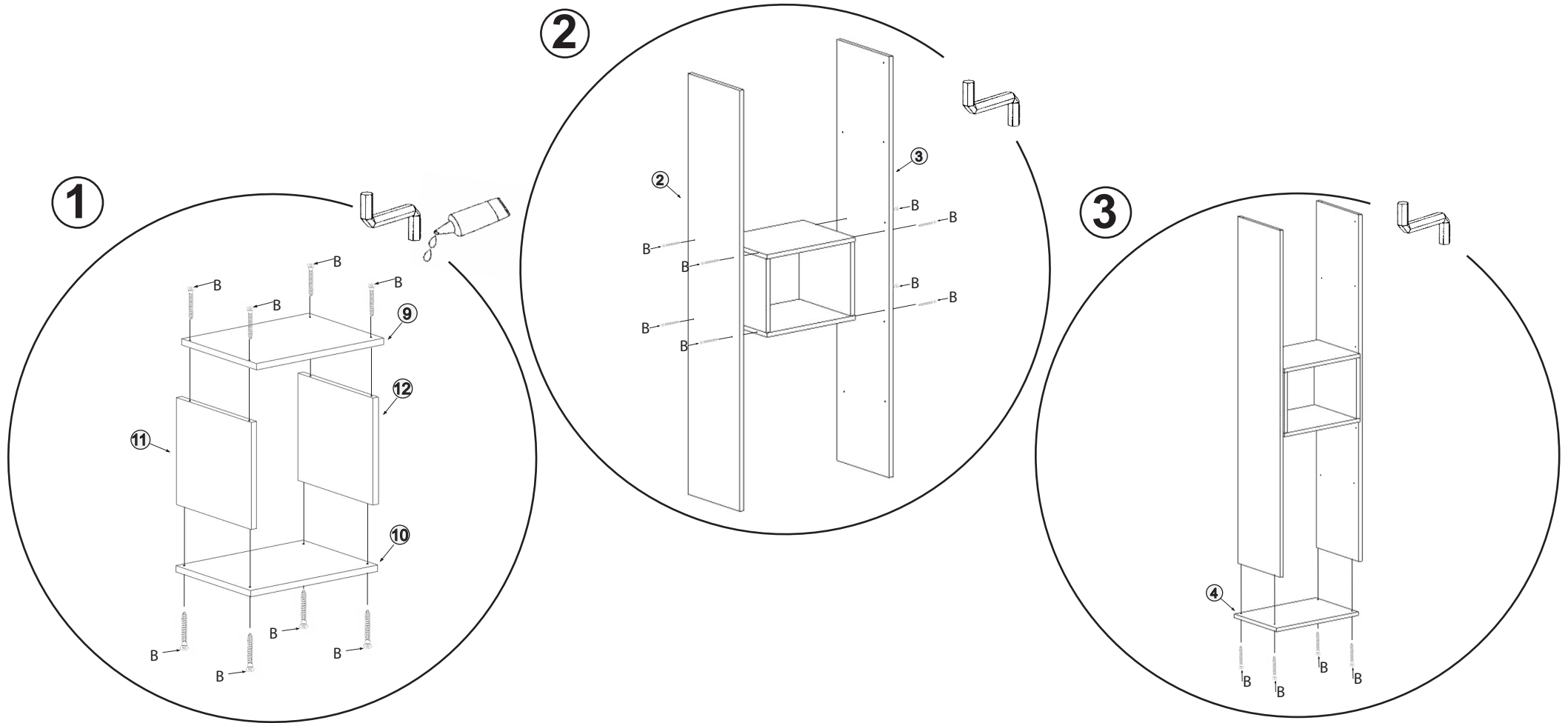
VANMAR SP. Z O.O. SP. K
32-434 Skomielna Biała 565
tel./fax (018) 268 74 42

WITRYNA 2D MARGO - PRODUKT POLSKI

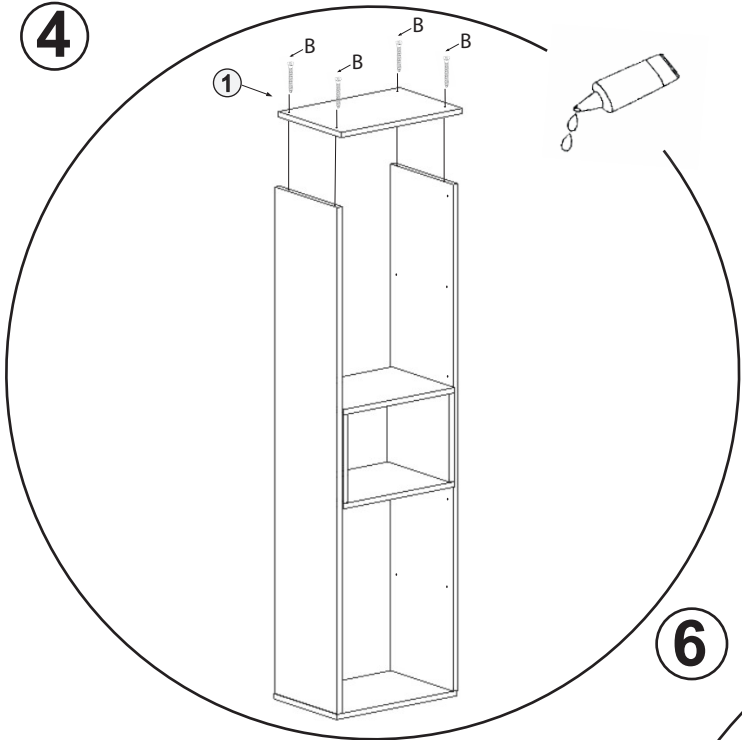


- | | | | | |
|-------------------|--------------------|--------------------|-------------------|-------------------|
| ① 1x 451x402x18mm | ② 1x 1729x400x18mm | ③ 1x 1729x400x18mm | ④ 1x 448x400x18mm | ⑤ 1x 170x406x18mm |
| ⑥ 1x 170x406x18mm | ⑦ 1x 690x406x18mm | ⑧ 2x 411x370x18mm | ⑨ 1x 411x399x18mm | ⑩ 1x 411x399x18mm |
| ⑪ 1x 303x399x18mm | ⑫ 1x 303x399x18mm | ⑬ 2x 1761x221x3mm | ⑭ 1x 410x405x4mm | |

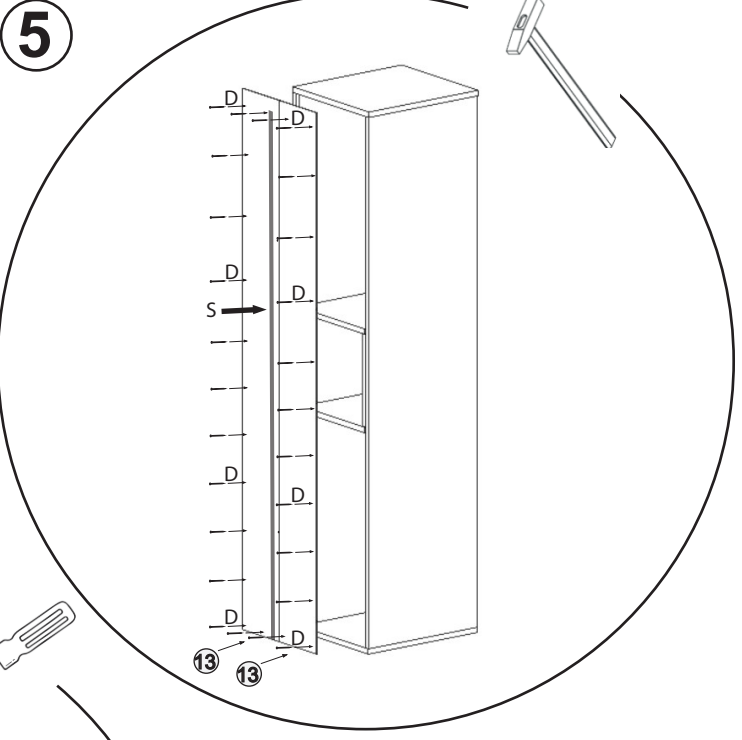
A  x 2	B  x 30	C1  x 18	D  x 80	E  x 4	G  4x16 x 32	H  3,5x16 x 22	I  x 8	J  x 1	K1  x 4
N  x 20	O  x 1	P  3x12 x 8	S  x 2	T  x 6					



4



5



6

