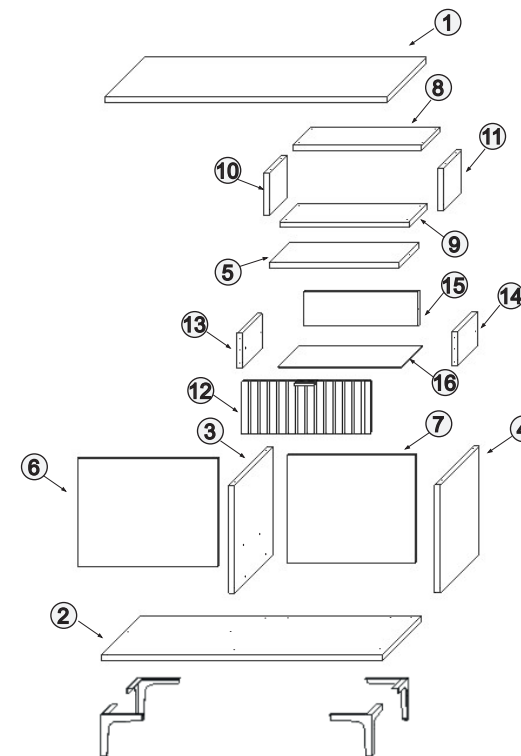
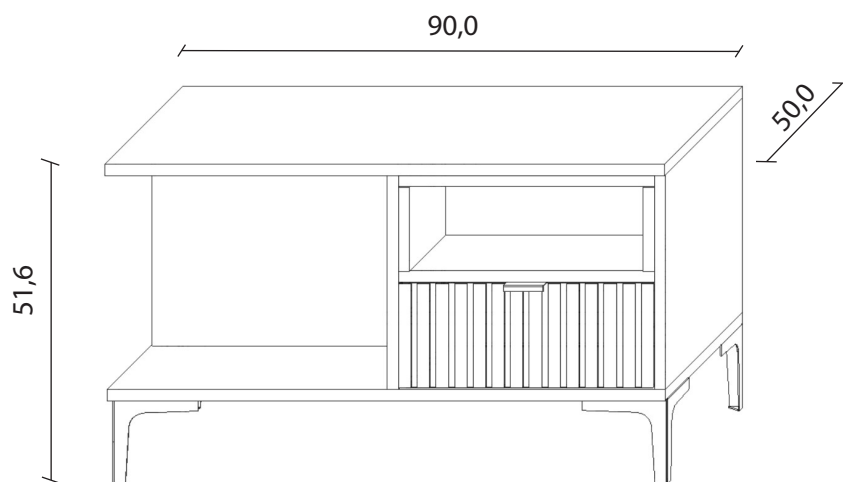







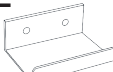








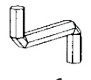


INSTRUKCJA MONTAŻU VANMAR

VANMAR SP. Z O.O. SP. K
32-434 Skomielna Biała 565
tel./fax (018) 268 74 42

ŁAWA 1S MARGO - PRODUKT POLSKI



- | | | | | |
|-------------------|-------------------|-------------------|-------------------|-------------------|
| ① 1x 900x500x18mm | ② 1x 897x496x18mm | ③ 1x 345x496x18mm | ④ 1x 345x496x18mm | ⑤ 1x 411x259x18mm |
| ⑥ 1x 345x448x18mm | ⑦ 1x 345x411x18mm | ⑧ 1x 411x280x18mm | ⑨ 1x 411x280x18mm | ⑩ 1x 133x280x18mm |
| ⑪ 1x 133x280x18mm | ⑫ 1x 170x406x18mm | ⑬ 1x 255x110x18mm | ⑭ 1x 255x110x18mm | ⑮ 1x 348x110x18mm |
| ⑯ 1x 380x263x3mm | | | | |

A  x 15	B  x 23	C1  x 4	C2  x 2	D  x 15	E  x 1	F1  x 2	F2  x 2	G  4x16 x 16	H  3,5x16 x 8	J  x 1
K1  x 4	L1  x 2	L2  x 2	O  x 1	P  3x12 x 2	R  4x30 x 4					

